

14AA815K790 GT-954 (2007)
Deck Assembly

Page 2 of 20

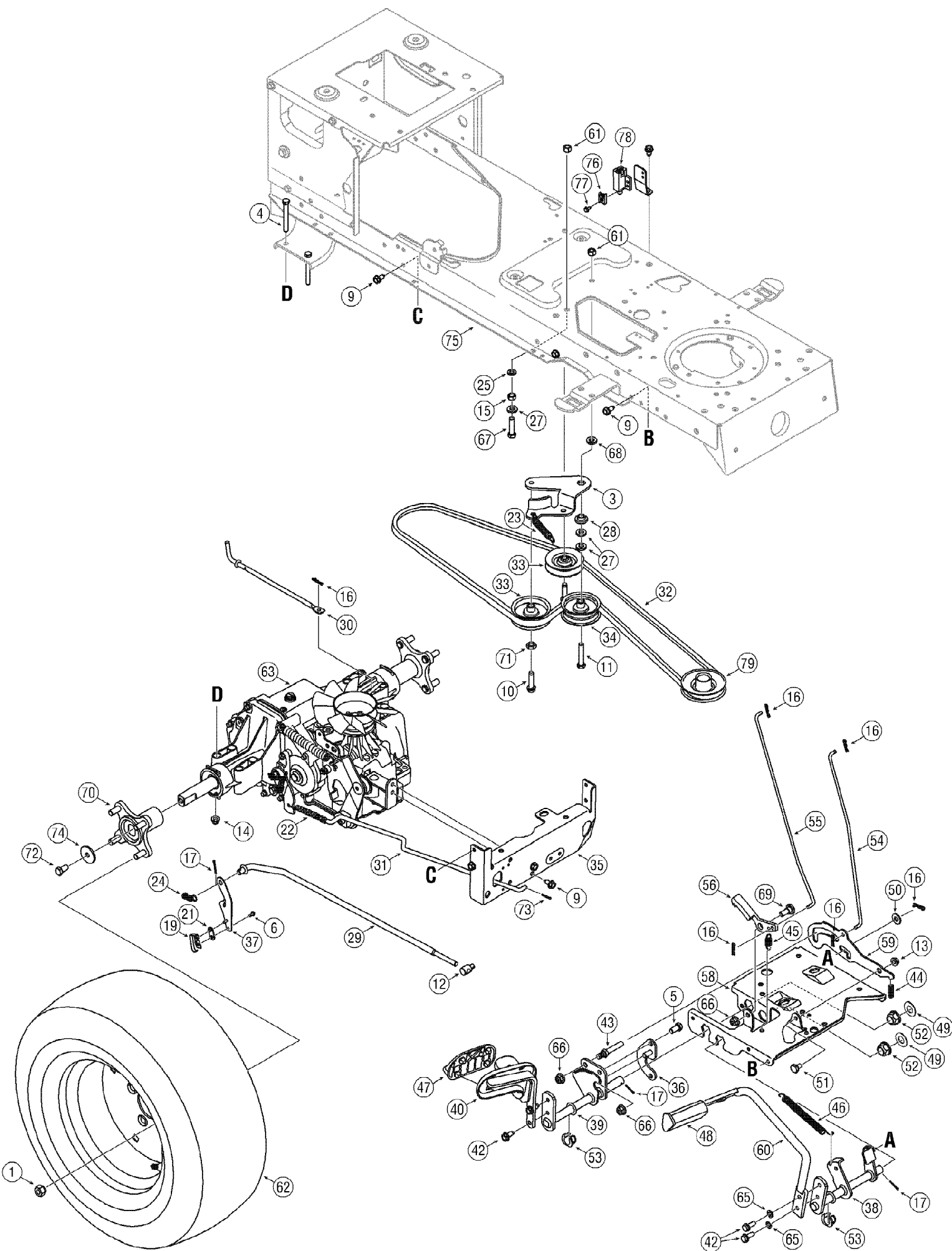
| Ref # | Part Number | Qty | S/P/F | Description |
|-------|-------------|-----|-------|---|
| 1 | 12650 | 1 | | Bracket, Adjustment, Height |
| 2 | 16606 | 1 | S | Bracket, Hook, Retainer |
| 3 | 618-0671B | 1 | S | Spindle Assembly, Pulley |
| 3 | 712-0417A | 1 | /P | Flange Nut:5/8-18 Not shown |
| 3 | 937-3000 | 1 | /P | Grease Fitting:3/16:LNC #70:DRIVE Not shown |
| 3 | 738-1197 | 1 | | Spindle Shaft:6.95 LG. Not shown |
| 3 | 941-0919 | 1 | /P | Ball Bearing:20x47x14:62 Not shown |
| 3 | 748-0160A | 1 | | Spacer:.790 ID x 1.25OD X .175 Not shown |
| 3 | 750-1000 | 1 | | Spacer:.80 x 1.10 x 1.322 Not shown |
| 3 | 750-1349A | 1 | /P | Spacer:.79 x 1.82 x .55 Not shown |
| 3 | 756-04216 | 1 | | Deck Pulley:V TYP:5.39 Not shown |
| 4 | 683-0254B | 1 | /P | Bracket Asbly, Deck Hanger LH |
| 5 | 683-04113A | 1 | | Deck Asmbly., 54" SD GT |
| 6 | 683-0459 | 1 | | Idler Assembly, 54" Deck |
| 7 | 703-2093 | 1 | | RR Inner Baffle |
| 8 | 703-3279 | 1 | | Deflector Chute Stop |
| 9 | 710-0216 | 1 | /P | Hex Screw 3/8-16 x 0.75 |
| 10 | 710-04095 | 1 | | Hex Screw 3/8-16 x 1.0 |
| 11 | 710-0521 | 1 | /P | Screw, 3/8-16 x 3.00 |
| 12 | 710-0528 | 1 | /P | Hex Screw, 5/16-18 x 1.25 |
| 13 | 710-0599 | 1 | /P | Screw, 1/4-20 x.500 |
| 14 | 710-0607 | 1 | /P | Screw, 5/16-18 x 0.500 |
| 15 | 710-0623 | 1 | /P | Screw, 3/8-16 x.750 |
| 16 | 710-1260A | 1 | /P | LD Screw 5/16-18 x 0.75 |
| 17 | 710-3011 | 1 | /P | Hex Screw, 3/8-16 x 2.25 |
| 18 | 710-3103 | 1 | /P | Hex Screw, 5/16-18 x 2.00 |
| 19 | 710-3168 | 1 | /P | Bolt, Carriage, 3/8-16 x 1.0 |
| 20 | 710-3178 | 1 | /P | Carriage Bolt 3/8-16 x.75 |
| 21 | 711-0332 | 1 | S | Pin, Clevis,.50 Dia x.78 |
| 22 | 711-1737 | 1 | | Pin, Roller,.5" Dia x 10.06. |
| 23 | 712-0206 | 1 | S | Hex Nut, 1/2-13 |
| 24 | 712-0229 | 1 | | Push Nut Retainer |
| 25 | 712-04063 | 1 | /P | Nut, Flange Lock, 5/16-18 |
| 26 | 712-04065 | 1 | /P | Nut, Lock, Flange, 3/8-16 |
| 27 | 712-0417A | 1 | /P | Nut, Hex Flange, 5/8-18 |
| 28 | 712-0641 | 1 | S | Hex Nut M16 |
| 29 | 712-3010 | 1 | S | Nut, Hex, 5/16-18, Gr5 |
| 30 | 712-3022 | 1 | /P | Nut, Hex Lock, 1/2-13 |
| 31 | 712-3083 | 1 | /P | Hex Lock Nut, 1/2-13 |
| 32 | 714-0111 | 1 | S | Pin, Cotter, 3/32 x 1.00 |
| 33 | 714-0145 | 1 | S | Pin, Click,.092 x 1.64 |
| 34 | 714-0162 | 1 | /P | Cotter Pin |
| 35 | 714-0470 | 1 | S | Pin, Cotter, 1/8 x 1.25 |
| 36 | 715-0108 | 1 | /P | Pin, Spring 1/4 Dia x 1.00 |
| 37 | 717-04074 | 1 | S | Adjustment, Deck, Gear |
| 38 | 721-04041 | 1 | S | Water Nozzle Adaptor |
| 39 | 731-0335 | 1 | | Roller, Deck |
| 40 | 731-3005 | 1 | /P | Front Roller |
| 41 | 732-0306A | 1 | S | Spring, Compression |
| 42 | 732-0459C | 1 | /P | Spring, Ext., .94 Dia. x 6.74 |
| 43 | 732-0934 | 1 | | Spring, Ext., 1.15 Dia. X 5.99 |

14AA815K790 GT-954 (2007)
Deck Assembly

Page 3 of 20

| Ref # | Part Number | Qty | S/P/F | Description |
|-------|-------------|-----|-------|--------------------------------|
| 44 | 734-04155 | 1 | | Deck Wheel, 5" Dia. |
| 45 | 736-0119 | 1 | S | Lock Washer |
| 46 | 736-0225 | 1 | /P | Lock Washer, 5/8" |
| 47 | 736-0300 | 1 | S | Washer, Flat.406 x.875 x.059 |
| 48 | 736-0921 | 1 | S | Lock Washer |
| 49 | 737-04003C | 1 | S | Deck Wash Water Nozzle |
| 50 | 738-0295 | 1 | | Shaft,.750 x.47.12 |
| 51 | 738-1229A | 1 | /P | Shoulder Screw |
| 52 | 738-3056 | 1 | S | Shoulder Screw |
| 53 | 742-0677A | 1 | S | Blade, 18.50" |
| 54 | 747-1116 | 1 | /P | Deck Rels. Hndl. Rod,.375 Dia |
| 55 | 747-1324 | 1 | | Rod, Deck Adjust |
| 56 | 750-0151 | 1 | S | Spacer.550 ID x.755 OD x 1.1 |
| 57 | 750-0212 | 1 | S | Spacer,.82 ID x 1.00 OD x.53 |
| 58 | 750-04597 | 1 | | Spacer,.380 x.900 x 1.313 |
| 59 | 750-0933 | 1 | | Spacer,.385 ID x.88 x.64 |
| 60 | 754-0642 | 1 | S | Belt, V-Type, B Section |
| 61 | 756-04129 | 1 | S | Pulley, Idler, 4.25 Dia. |
| 62 | 783-04013A | 1 | | Bracket, Stabilizing |
| 63 | 783-04690A | 1 | S | Deck Skirt |
| 64 | 783-04726 | 1 | | Bracket, Idler |
| 65 | 783-1470A | 1 | | Cover, Spindle RH |
| 66 | 783-1471 | 1 | | Cover, Spindle LH |
| 67 | 631-04070A | 1 | /P | Chute Assembly |
| 68 | 731-04651 | 1 | | Mulch Plug |
| 69 | 738-04146 | 1 | | Plug, Bolt, M16 x 1.5 |
| 70 | 736-0187 | 1 | /P | Washer, Flat, .64 x 1.24 x .06 |

14AA815K790 GT-954 (2007)
Drive Assembly



14AA815K790 GT-954 (2007)
Drive Assembly

Page 5 of 20

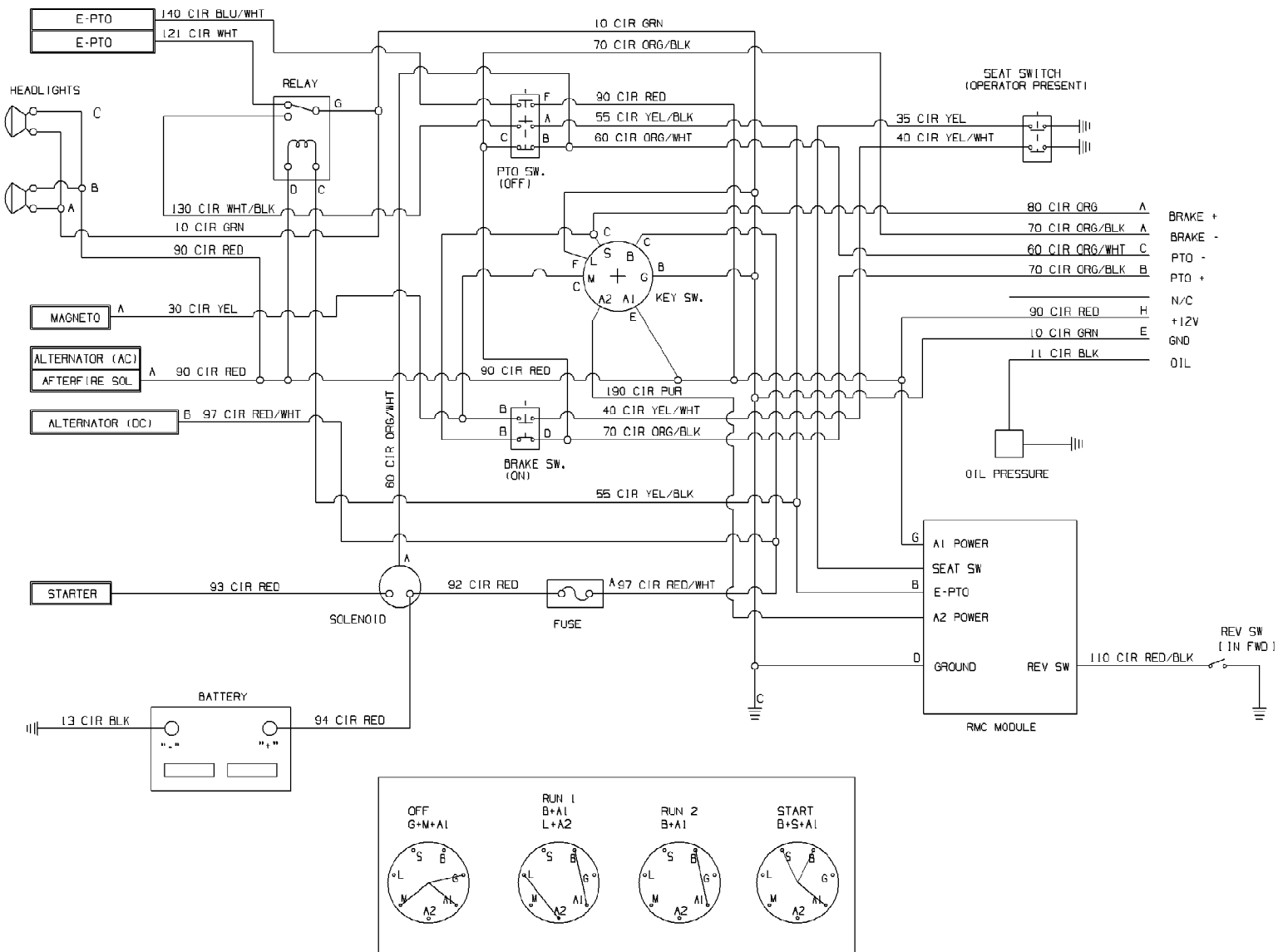
| Ref # | Part Number | Qty | S/P/F | Description |
|-------|-------------|-----|-------|-----------------------------------|
| 1 | 712-3050 | 1 | /P | Lug Nut, 3/4-16 |
| 2 | 629-0949B | 1 | | Revse./Grnd. Wire Harness Adptr. |
| 3 | 783-04442 | 1 | | Double Idler Bracket |
| 4 | 710-0176 | 1 | /P | Hex Cap Screw, 5/16-18 x 2.75 |
| 5 | 710-0216 | 1 | /P | Hex Cap Screw, 3/8-16 x.75 |
| 6 | 710-0227 | 1 | /P | Screw, #8-18 x.5 |
| 7 | 710-1007 | 1 | /P | Hex Cap Screw, 3/8-16 x 1.5 |
| 8 | 710-0599 | 1 | /P | Self-tapping Screw, 1/4-20 x.50 |
| 9 | 710-0726 | 1 | /P | Self-tapping Screw, 5/16-12 x.75 |
| 10 | 710-3011 | 1 | /P | Hex Cap Screw, 3/8-16 x 2.25 |
| 12 | 711-0832 | 1 | S | Ferrule, 3/8-24 |
| 13 | 712-3004A | 1 | /P | Flange Lock Nut, 5/16-18 |
| 14 | 712-04063 | 1 | /P | Flange Lock Nut, 5/16-18 |
| 15 | 712-3017 | 1 | S | Hex Nut, 3/8-16 |
| 16 | 714-0104 | 1 | S | Internal Cotter Pin |
| 17 | 714-0111 | 1 | S | Cotter Pin |
| 18 | 725-0157 | 1 | /P | Cable Tie Not Shown |
| 19 | 725-1644 | 1 | | Short Spring Switch |
| 20 | 726-0154 | 1 | S | Push-mount Cable Tie Not Shown |
| 21 | 726-0320 | 1 | S | Insulator Nut Plate |
| 22 | 732-0716C | 1 | S | Extension Spring,.59 x 4.0 |
| 23 | 732-04323B | 1 | /P | Extension Spring,.770 x 3.72 Lg. |
| 24 | 732-3118 | 1 | | Extension Spring, 3/8 x 1.44 |
| 25 | 736-0169 | 1 | S | Lock Washer, 3/8 |
| 26 | 736-3008 | 1 | S | Flat Washer,.344 x.750 x.120 |
| 27 | 736-0300 | 1 | S | Flat Washer .406 x .875 x .059 |
| 28 | 738-0372B | 1 | /P | Shoulder Spacer,.38 |
| 29 | 747-1119 | 1 | | Hydrostatic Control Rod |
| 30 | 747-1121A | 1 | /P | Hydrostatic Bypass Rod |
| 31 | 747-04140 | 1 | | Hydrostatic Brake Rod |
| 32 | 754-0349 | 1 | S | Drive Belt |
| 33 | 756-04209 | 1 | /P | V-idler Pulley, 3.06 |
| 34 | 756-04224 | 1 | /P | Flat Idler Pulley, 2.75 |
| 35 | 783-0667B | 1 | | Transmission Torque Bracket |
| 36 | 783-0745 | 1 | S | Speed Control Bracket |
| 37 | 783-0782 | 1 | S | Switch Actuator Bracket |
| 38 | 647-04100 | 1 | S | Brake Control Assembly |
| 39 | 647-0049A | 1 | S | Drive Control Assembly |
| 40 | 683-0267C | 1 | /P | Hydro Pedal Assembly |
| 41 | 710-0650 | 1 | /P | Self-tapping Screw, 5/16-18 x.875 |
| 42 | 710-1260A | 1 | /P | Self-tapping Screw, 5/16-18 x.75 |
| 43 | 711-04159B | 1 | | Pin, 3/8-16 x 2.43 |
| 44 | 732-0335 | 1 | | Compression Spring,.40 OD x 1.17 |
| 45 | 732-0955 | 1 | | Extension Spring,.50 OD x 1.41 |
| 46 | 732-0963 | 1 | | Extension Spring,.50 OD x 6.37 |
| 47 | 735-0662 | 1 | | Drive Pedal Pad |
| 48 | 735-3049A | 1 | /P | Brake Pedal Pad |
| 49 | 736-0187 | 1 | /P | Flat Washer,.64 x 1.24 x.06 |
| 50 | 736-0262 | 1 | /P | Flat Washer,.385 x.870 x.092 |
| 51 | 738-0155 | 1 | S | Shoulder Screw,.437 x 1.62 |
| 52 | 741-0225 | 1 | S | Hex Flange Bearing |
| 53 | 741-3065B | 1 | /P | Split Hex Flange Bearing |
| 54 | 747-04093A | 1 | | Hydrostatic Control Rod |

14AA815K790 GT-954 (2007)
Drive Assembly

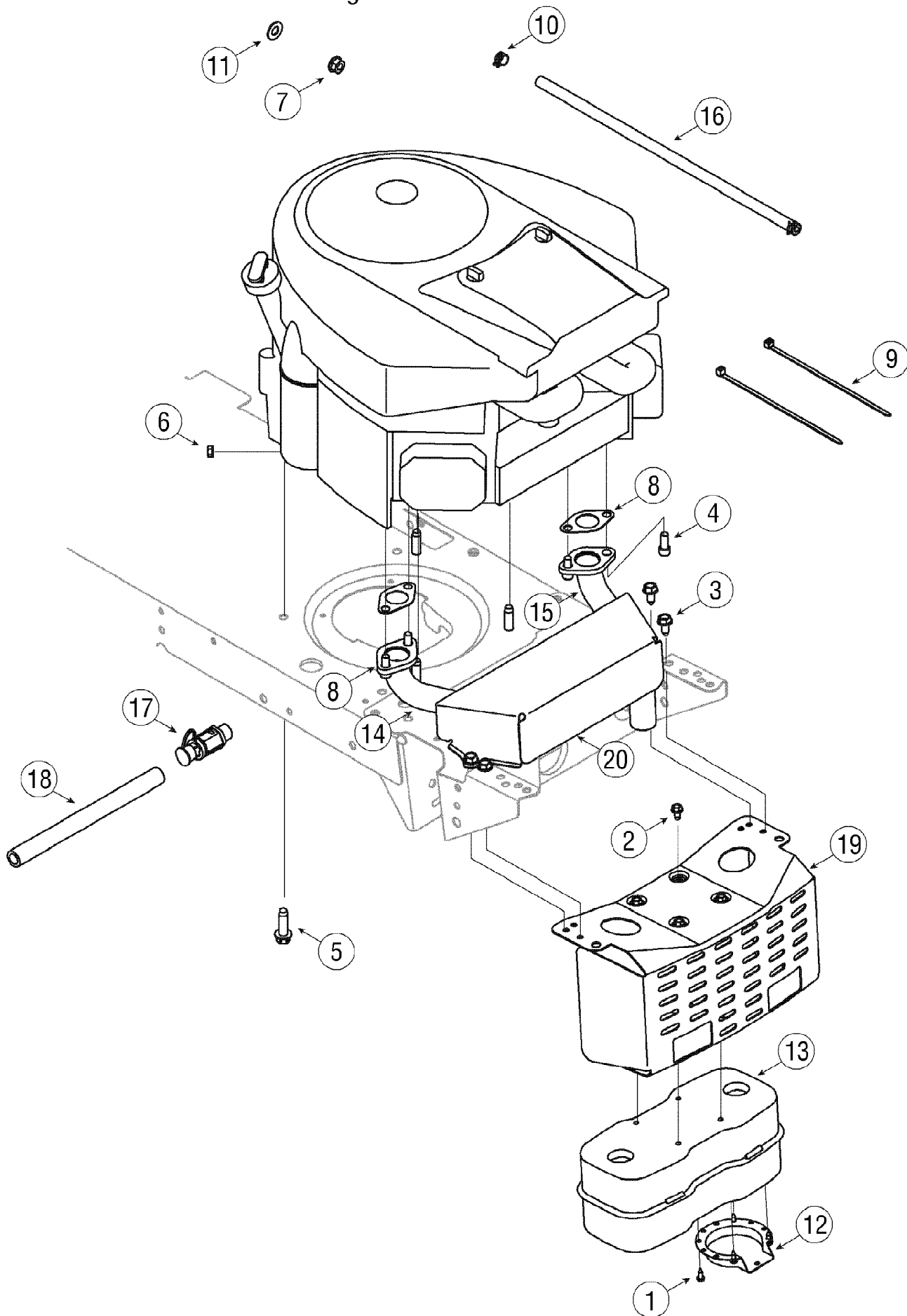
Page 6 of 20

| Ref # | Part Number | Qty | S/P/F | Description |
|-------|-------------|-----|-------|---|
| 55 | 747-04096 | 1 | | Cruise Control Rod |
| 56 | 748-04039C | 1 | | Cruise Latch |
| 57 | 748-0415B | 1 | /P | Spacer, 5/16 x 1.54 |
| 58 | 783-04612 | 1 | S | Steering Support Bracket |
| 59 | 783-0663E | 1 | /P | Drive Lockout Bracket |
| 60 | 747-04641 | 1 | S | Brake Pedal |
| 61 | 712-0431 | 1 | S | Hex Nut, 3/8-16 |
| 62 | 634-0202A | 1 | | Wheel Assembly, 23 x 10.5 x 12 |
| 62 | 634-04238 | 1 | /P | Rim Only 12.0 x 7.0 Not Shown |
| 62 | 734-0255 | 1 | S | Air Valve Not Shown |
| 62 | 734-04147 | 1 | S | Tire Only 23 x 10.5 x 12 Sq. Shldr. Not Shown |
| 63 | 618-04329 | 1 | S | Hydrostatic Transmission Assmby |
| 64 | 710-1611B | 1 | /P | Self-tapping Screw, 5/16-18 x.75 |
| 65 | 736-0119 | 1 | S | Lock Washer, 5/16 |
| 66 | 712-04065 | 1 | /P | Flange Lock Nut 3/8-16 |
| 67 | 710-0520 | 1 | /P | Hex Cap Screw, 3/8-16 x 1.5 |
| 68 | 736-0258 | 1 | /P | Flat Washer.385 x 1.00 x.135 |
| 69 | 738-0380 | 1 | S | Shoulder Screw 3/8-16.50 x.27 |
| 70 | 618-04317 | 1 | S | Wheel Hub Assembly |
| 71 | 712-0240 | 1 | S | Jam Nut, 7/16-20 |
| 72 | 710-3119 | 1 | /P | Screw, 3/8-16 x.750 |
| 73 | 714-0507 | 1 | S | Cotter Pin |
| 74 | 736-0227 | 1 | S | Flat Washer,.390 x 1.500 x.134 |
| 75 | 683-04173B | 1 | | Lower Frame Assembly |
| 76 | 17962 | 1 | | Switch Plate |
| 77 | 710-0224 | 1 | S | Screw, #10-16 |
| 78 | 725-04039 | 1 | S | Interlock Switch |
| 79 | 756-0978B | 1 | /P | Electric PTO Pulley |

14AA815K790 GT-954 (2007)
Electrical Schematic



For in-dash choke
mounting



14AA815K790 GT-954 (2007)
Engine Accessories

Page 9 of 20

| Ref # | Part Number | Qty | S/P/F | Description |
|-------|-------------|-----|-------|---------------------------------|
| 1 | 710-0227 | 1 | /P | AB Screw #8-18 x 0.5 |
| 2 | 710-0599 | 1 | /P | TT Screw 1/4-20 x 0.5 |
| 3 | 710-0726 | 1 | /P | AB Screw 5/16-12 x 0.5 |
| 4 | 710-1314A | 1 | /P | Screw, 5/16-18 x .750 |
| 5 | 710-1315 | 1 | /P | TT Screw 3/8-16 x 1.25 |
| 6 | 712-0271 | 1 | /P | Sems Nut, 1/4-20 |
| 7 | 712-3005 | 1 | S | Flange Lock Nut, 3/8-16 |
| 8 | 721-0460 | 1 | | Exhaust Gasket |
| 9 | 725-0157 | 1 | /P | Cable Tie |
| 10 | 726-0205 | 1 | /P | Hose Clamp |
| 11 | 736-0300 | 1 | S | Flat Washer, .406 x .875 x .059 |
| 12 | 751-0564B | 1 | /P | Muffler Deflector |
| 13 | 751-0616B | 1 | /P | Dual Inlet Muffler |
| 14 | 751-0650B | 1 | /P | RH Exhaust Pipe |
| 15 | 751-0651B | 1 | /P | LH Exhaust Pipe |
| 16 | 751-10349 | 1 | | Fuel Line Hose |
| 17 | 751-10517 | 1 | S | Oil Drain Valve |
| 18 | 751-3141 | 1 | S | Oil Drain Extension Hose |
| 19 | 783-0615D | 1 | S | Muffler Bracket |
| 20 | 783-0625C | 1 | /P | Heat Shield |

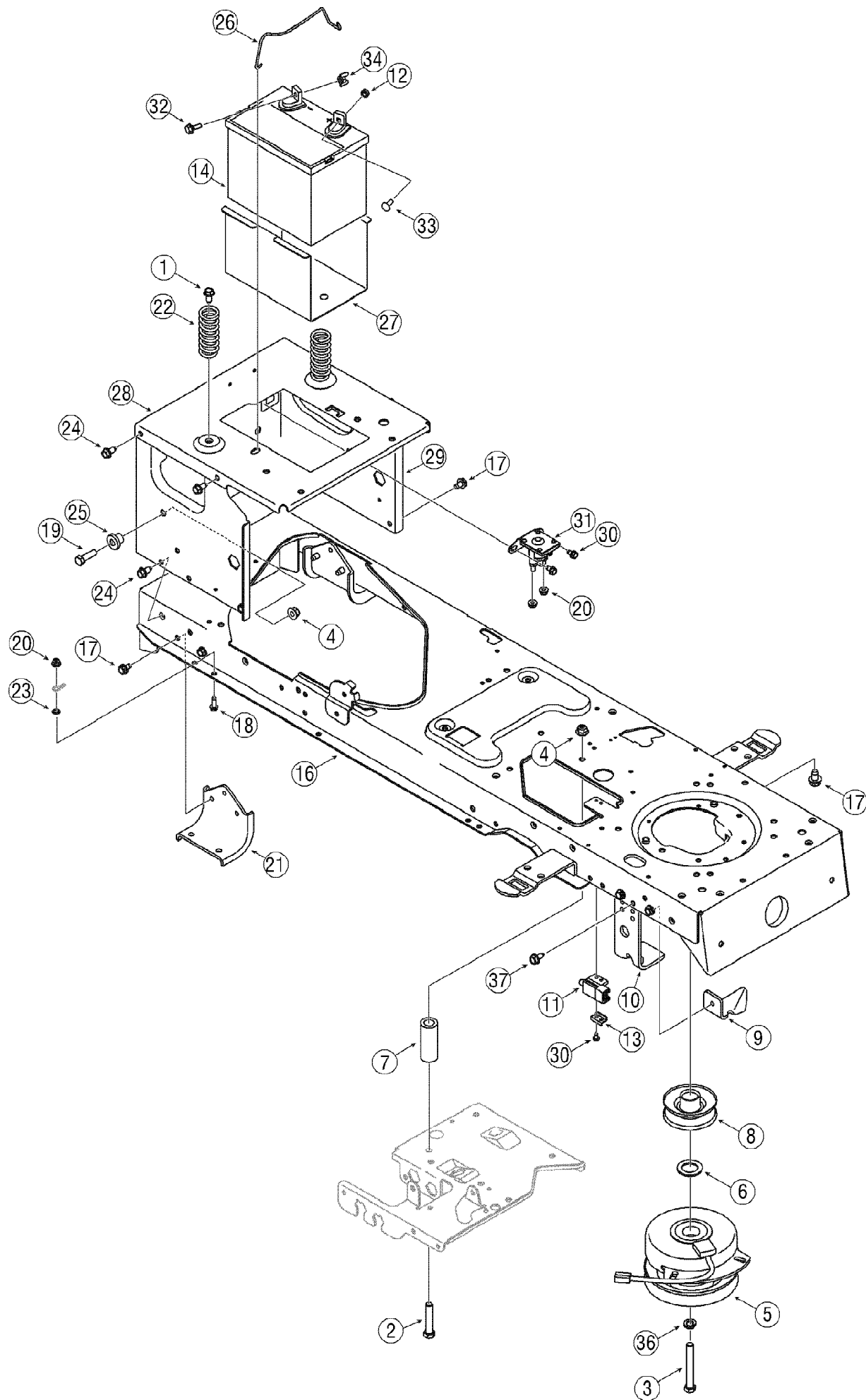
14AA815K790 GT-954 (2007)
Fender Assembly

Page 11 of 20

| Ref # | Part Number | Qty | S/P/F | Description |
|-------|-------------|-----|-------|-----------------------------------|
| 1 | 710-0227 | 1 | /P | Screw, #8-18 x.500 |
| 2 | 683-04301 | 1 | S | Lift Shaft Assembly |
| 3 | 736-0204 | 1 | /P | Washer, Flat, .344 x .62 x .033 |
| 4 | 736-0607 | 1 | /P | Lock Washer, 5/16 |
| 5 | 712-04065 | 1 | /P | Flange Lock Nut, 3/8-16 |
| 6 | 712-04063 | 1 | /P | Flange Lock Nut, 5/16-18 |
| 7 | 725-1439 | 1 | | Inner Seat Spring Switch |
| 8 | 714-0104 | 1 | S | Hairpin Clip |
| 9 | 726-3046 | 1 | /P | Foot Pad Clips |
| 10 | 716-0106A | 1 | | E-Ring |
| 11 | 720-0311 | 1 | | Handle Grip |
| 12 | 732-0874 | 1 | /P | Torsion Spring |
| 13 | 732-1184 | 1 | /P | Extension Spring,.84 x 4.6 |
| 14 | 736-0242 | 1 | /P | Flat Washer |
| 15 | 726-0278 | 1 | | Insulator Boss Plate |
| 16 | 736-3019 | 1 | | Flat Washer,.31 x 1.062 x.134 |
| 17 | 710-0599 | 1 | /P | Screw, 1/4-20 x.500 |
| 18 | 738-0138A | 1 | /P | Hex Cap Screw, 5/16-18 x.62 |
| 19 | 738-0380 | 1 | S | Shoulder Screw, 3/8-16 |
| 20 | 741-0225 | 1 | S | Hex Flange Bearing |
| 21 | 712-0271 | 1 | /P | Sems Nut 1/4-20 |
| 22 | 746-0968 | 1 | | Lift Cable, 16.16 |
| 23 | 747-04447 | 1 | | Lift Handle |
| 24 | 756-1154 | 1 | | Roller Pulley |
| 25 | 783-05546 | 1 | S | Arm Lift |
| 26 | 731-1993A | 1 | | Cover w/ Cup Holder |
| 27 | 710-0451 | 1 | /P | Carriage Bolt, 5/16-18 x.750 |
| 28 | 710-0604A | 1 | /P | Self-tapping Screw, 5/16-18 x.625 |
| 29 | 710-0895 | 1 | | Self-tapping Screw, 1/4-15 x.75 |
| 30 | 731-1990 | 1 | | Lift Lever Cover |
| 31 | 738-0296 | 1 | S | Shoulder Screw,.437 x.286 |
| 32 | 736-3078 | 1 | /P | Flat Washer,.349 x 1.0 x.063 |
| 33 | 783-0677B | 1 | | Lift Adjustment Bracket |
| 34 | 783-04459A | 1 | | Fender 4 Sty Hydro w/ Flares |
| 35 | 783-1489C | 1 | | Seat Mounting Bracket |
| 36 | 710-1268 | 1 | /P | Screw, #10-16 x.375 |
| 37 | 712-04064 | 1 | /P | Flange Lock Nut, 1/4-20 |
| 38 | 720-0309A | 1 | /P | Seat Adjuster Grip |
| 39 | 731-04074 | 1 | | Spacer |
| 40 | 732-0499 | 1 | | Compression Spring,.41 x 1.5 |
| 41 | 725-1303 | 1 | S | Outer Seat Spring Switch |
| 42 | 710-0932 | 1 | /P | Carriage Screw 1/4-20 x 1.00 |
| 43 | 738-0137A | 1 | S | Shoulder Screw,.340 x.285,1/4-20 |
| 44 | 738-0966A | 1 | /P | Shoulder Screw,.50 x.50, 3/8-16 |
| 45 | 783-0611 | 1 | | Seat Stop |
| 46 | 783-0738D | 1 | /P | Seat Pivot Bracket |
| 47 | 783-0739A | 1 | S | Seat Adjustment Lever |
| 48 | 783-0753 | 1 | | Seat Adjustment Selector |
| 49 | 757-04003A | 1 | /P | High Back Seat, Black |
| 50 | 735-0656 | 1 | | RH Foot Pad |
| 51 | 735-0657 | 1 | | LH Foot Pad |
| 52 | 714-0111 | 1 | S | Cotter Pin |
| 53 | 726-0279 | 1 | | |

14AA815K790 GT-954 (2007)
Fender Assembly

| Ref # | Part Number | Qty | S/P/F | Description |
|-------|-------------|-----|-------|-------------------|
| 54 | 783-0209D | 1 | /P | Seat Lift Bracket |
| 55 | 726-0201 | 1 | | Speed Clip |
| 56 | 731-2618 | 1 | | RH Fender Flare |
| 57 | 731-2619 | 1 | | LH Fender Flare |

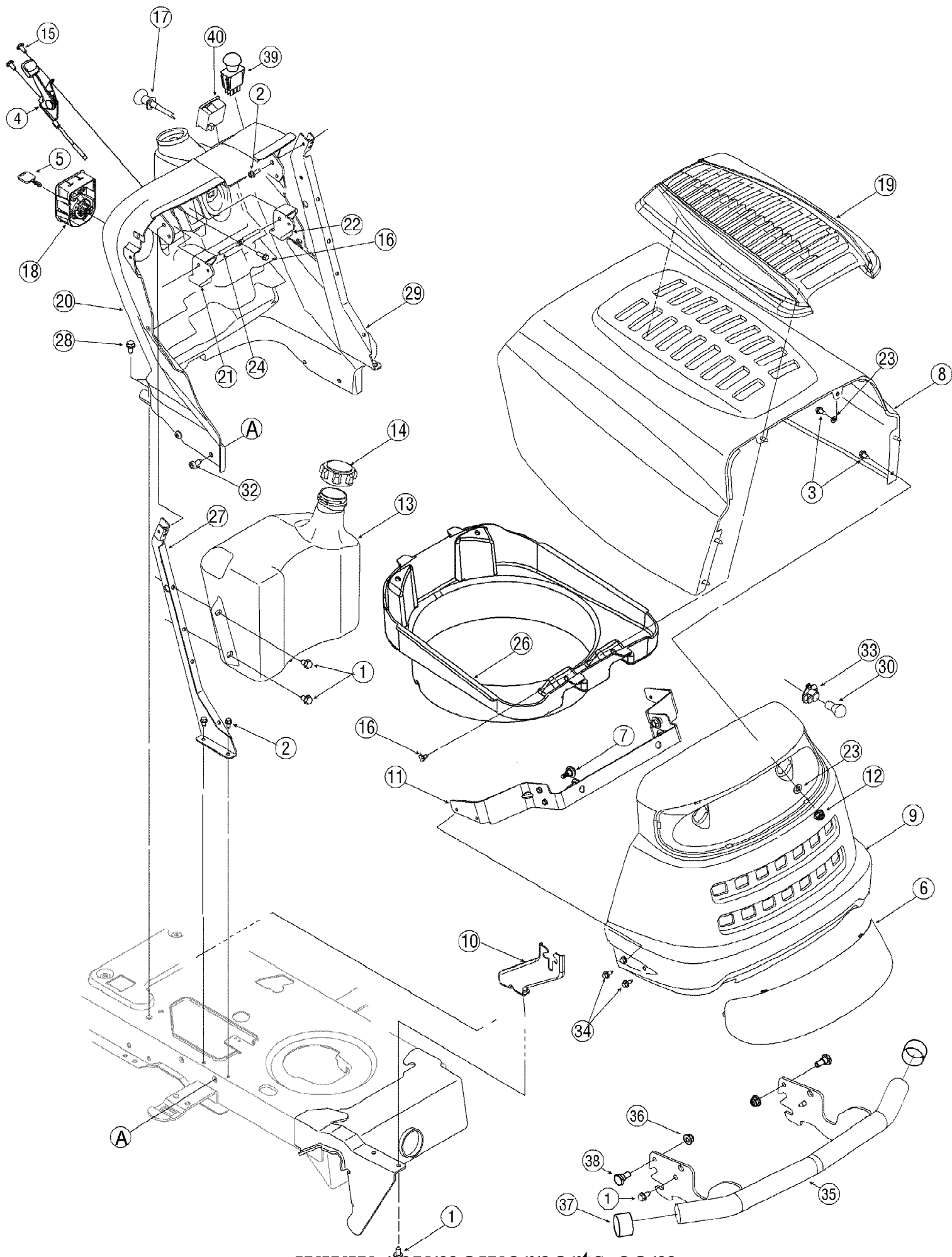


14AA815K790 GT-954 (2007)
Frame Assembly

Page 14 of 20

| Ref # | Part Number | Qty | S/P/F | Description |
|-------|-------------|-----|-------|------------------------------------|
| 1 | 710-1260A | 1 | /P | Screw, 5/16-18 x 0.75 |
| 2 | 710-3011 | 1 | /P | Screw, 3/8-16, 2.25, Gr5 |
| 3 | 710-04379A | 1 | | Screw, 7/16-20, 3.50, Gr5, Lock |
| 4 | 712-04065 | 1 | /P | Nut, Flange Lock, 3/8-16 |
| 5 | 717-1774B | 1 | S | PTO Clutch, Electric |
| 6 | 736-0277 | 1 | | Washer, Flat, 1.031 x 1.620 x.095 |
| 7 | 748-0415B | 1 | /P | Spacer, .385 ID x.635 OD x 1.54 |
| 8 | 756-0978A | 1 | S | Pulley, Engine, 3.56 Diameter |
| 9 | 783-04419B | 1 | S | Clutch Bracket |
| 10 | 783-04467 | 1 | | Deck Bracket, Up-Stop |
| 11 | 725-04039 | 1 | S | Switch |
| 12 | 712-0271 | 1 | /P | Nut, Sems, 1/4-20 |
| 13 | 17962 | 1 | | Switch Plate |
| 14 | 725-1750A | 1 | S | Battery, 235 CCA |
| 15 | 710-0224 | 1 | S | AB Screw, #10-16 x.500 |
| 16 | 683-04173B | 1 | | Frame Assembly, Lower |
| 17 | 710-0607 | 1 | /P | Screw, 5/16-18, 0.500 |
| 18 | 710-0642 | 1 | /P | Screw, 1/4-20, 0.750 |
| 19 | 710-3005 | 1 | /P | Screw, 3/8-16, 1.25, Gr5 |
| 20 | 712-04064 | 1 | /P | Nut, Flange Lock, 1/4-20 |
| 21 | 783-0693 | 1 | | Axle Bracket |
| 22 | 732-04035 | 1 | | Spring, Compress., 1.28 x 3.125 |
| 23 | 736-0222 | 1 | S | Washer, Lock, 1/4, External |
| 24 | 710-0604A | 1 | /P | Screw, 5/16-18, 0.625 |
| 25 | 738-04058 | 1 | | Spacer, Shoulder, .38 x 1.0 x.70 |
| 26 | 747-04121A | 1 | | Hold Rod, Battery |
| 27 | 783-0349 | 1 | | Battery Tray |
| 28 | 783-04329A | 1 | | Seat Bracket, Frame |
| 29 | 783-04811D | 1 | S | Frame, Upper |
| 30 | 710-0599 | 1 | /P | Screw, 1/4-20, 0.50 |
| 31 | 725-04439 | 1 | | Solenoid, 12V, 100 Amp |
| 32 | 738-1132 | 1 | | Screw, Shoulder, .250 x.15, 1/4-20 |
| 33 | 710-04666 | 1 | | Hex Flange Bolt, 1/4-20, .75 |
| 34 | 712-3087 | 1 | /P | Nut, Wing, 1/4-20 |
| 35 | 783-04612 | 1 | S | Support Bracket, Steering |
| 36 | 736-0171 | 1 | S | Lock Washer, 7/16 |
| 37 | 710-0726 | 1 | /P | Screw, 5/16-12 x .750 |

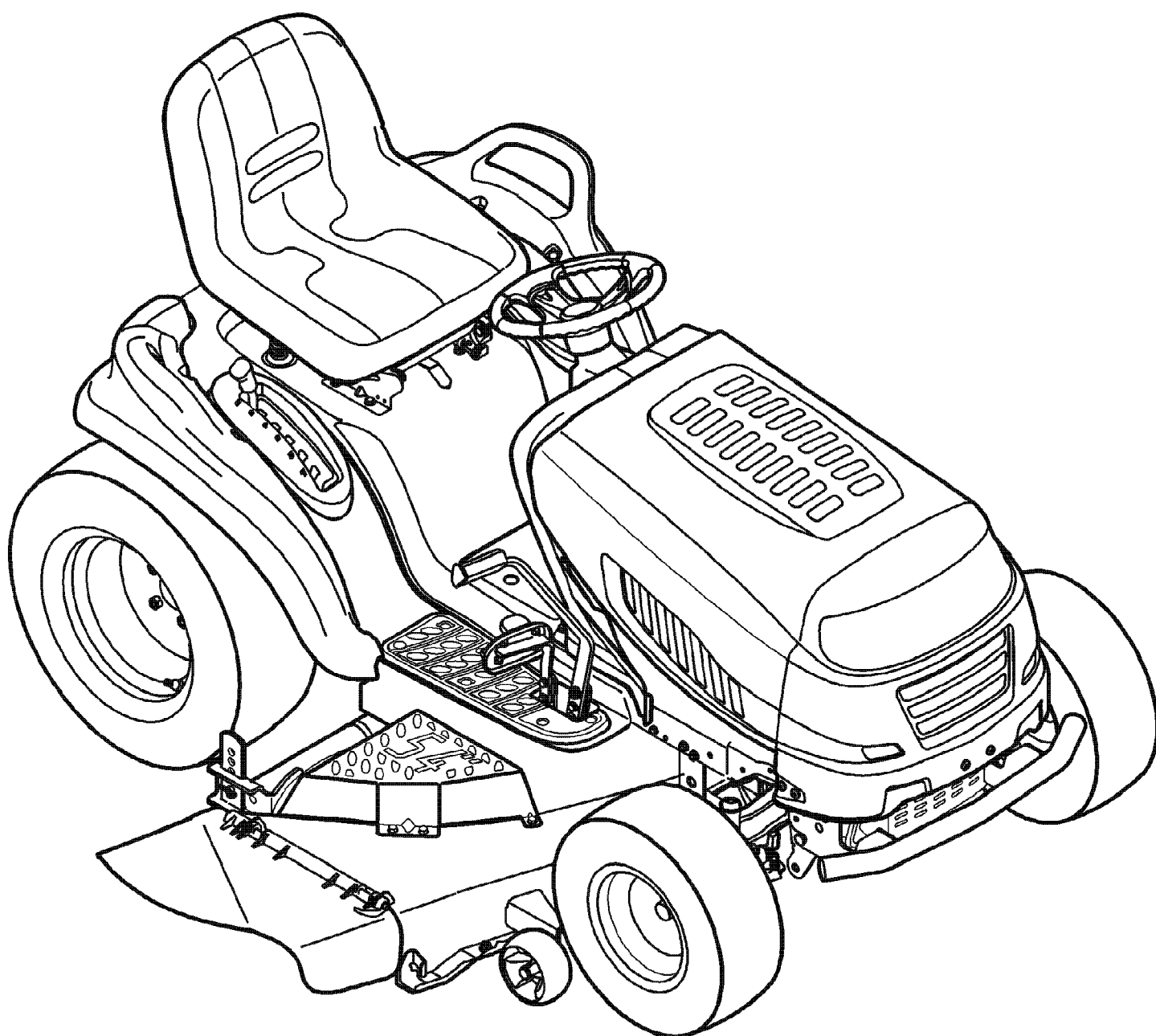
14AA815K790 GT-954 (2007)
Hood Style



14AA815K790 GT-954 (2007)
Hood Style

Page 16 of 20

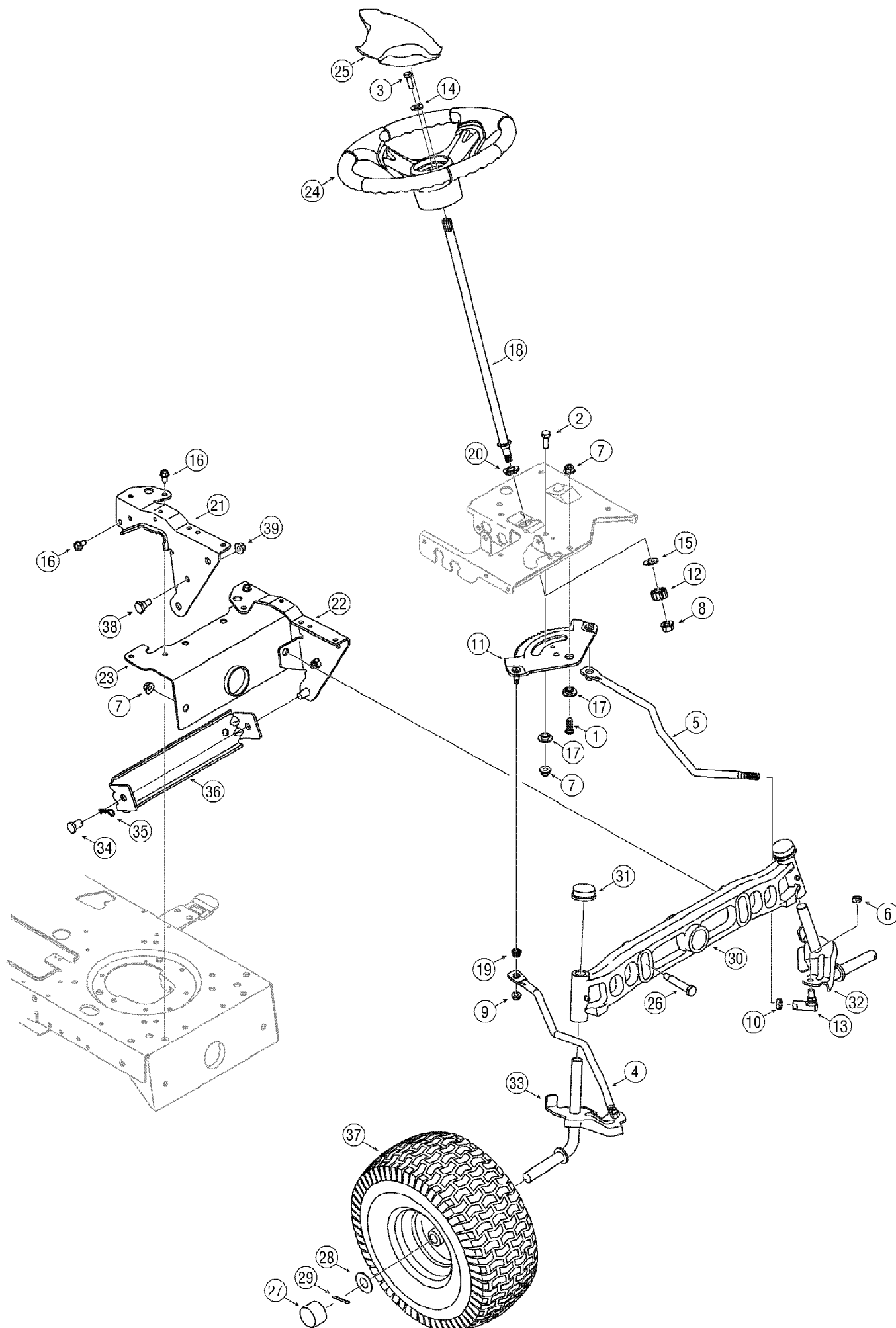
| Ref # | Part Number | Qty | S/P/F | Description |
|-------|-------------|-----|-------|---|
| 1 | 710-0726 | 1 | /P | Screw, 5/16-12 x .750 |
| 2 | 710-0599 | 1 | /P | Self-tapping Screw, 1/4-20 x.5 |
| 3 | 710-0751 | 1 | /P | Hex Cap Screw, 1/4-20 x.62 |
| 4 | 746-04365 | 1 | | Throttle Control/Cable |
| 5 | 725-1745 | 1 | S | Ignition Key w/ plastic cover |
| 5 | 725-1744 | 1 | S | Ignition Key w/o plastic cover |
| 6 | 731-04949 | 1 | S | Headlight Lens |
| 7 | 738-04091 | 1 | S | Shoulder Screw,.43 x.29 |
| 8 | 783-04551 | 1 | | Hood, 1 Style |
| 9 | 783-04552 | 1 | | Grill, 1 Style |
| 10 | 783-04578 | 1 | S | Pivot Bracket - RH |
| 10 | 783-04577 | 1 | S | Pivot Bracket - LH Not Shown |
| 11 | 783-04621 | 1 | S | Grill Pivot Bracket |
| 12 | 712-04064 | 1 | /P | Flange Lock Nut, 1/4-20 |
| 13 | 751-0659D | 1 | /P | Fuel Tank, Two Gallon |
| 13 | 751-0658E | 1 | /P | Fuel Tank, Three Gallon |
| 14 | 751-0603 | 1 | S | Fuel Cap |
| 15 | 710-1017 | 1 | /P | Screw, 1/4-14 x.625 |
| 16 | 710-0895 | 1 | | Self-tapping Screw, 1/4-15 x.75 |
| 17 | 746-1085A | 1 | S | Choke Control Cable |
| 18 | 725-04227B | 1 | S | Ignition Switch |
| 19 | 731-05522 | 1 | | Hood Cover, 5 Style |
| 20 | 731-05005B | 1 | | Dash Panel |
| 21 | 731-04215 | 1 | S | Cruise Control Button |
| 22 | 731-04217 | 1 | S | Parking Brake Button |
| 23 | 736-0176 | 1 | S | Flat Washer, .265 x .938 x 1.20 |
| 24 | 747-1196 | 1 | | Brake/Cruise Pivot Rod |
| 25 | 629-04083A | 1 | S | Headlight Wire Harness Not Shown |
| 26 | 731-05165A | 1 | | Plenum |
| 27 | 783-04285E | 1 | S | RH Dash Support Plate |
| 28 | 710-0607 | 1 | /P | Screw, 5/16-18 x .500 |
| 29 | 783-04323D | 1 | | LH Dash Support Plate |
| 30 | 725-0963 | 1 | S | Lamp |
| 31 | 736-0270 | 1 | /P | Bell Washer,.265 x.75 x.062 |
| 32 | 710-1611B | 1 | /P | Screw, 5/16-18 x.75 |
| 33 | 725-1649 | 1 | S | Headlight Socket |
| 34 | 710-1652 | 1 | /P | Hex Index Screw, 1/4-20 x.625 |
| 35 | 683-04219A | 1 | S | Bumper Assembly |
| 36 | 712-04065 | 1 | /P | Flange Lock Nut, 3/8-16 |
| 37 | 731-05674 | 1 | | Cap |
| 38 | 738-0143 | 1 | /P | Shoulder Bolt, 3/8-16 |
| 39 | 725-1752 | 1 | S | Electric PTO Switch |
| 40 | 725-04036C | 1 | S | Systems Ind. Monitor w/Hr. Mtr. |
| 40 | 725-04156 | 1 | S | Systems Ind. Monitor w/ Amtr. |
| | 725-04403 | 1 | S | Wire Harness (w/Hour Meter) Not Shown |
| | 725-04404 | 1 | S | Wire Harness (w/Hour Meter & Electric PTO) Not Shown |
| | 725-04411 | 1 | | Wire Harness (w/Ammeter) Not Shown |
| | 777X41984 | 1 | | Headlight Reflective Insert Not Shown |



14AA815K790 GT-954 (2007)
Quick Reference

Page 18 of 20

| Ref # | Part Number | Qty | S/P/F | Description |
|-------|--------------|-----|-------|--|
| | 942-0677 | 3 | S | Blades |
| | 712-0417A | 1 | /P | Blade Nut |
| | N/A | 1 | | Upper drive Belt |
| | 954-0349 | 1 | /P | Lower drive Belt |
| | 954-0642 | 1 | /P | Deck Spindle Belt |
| | N/A | 1 | | Engine To deck Belt |
| | 918-0671B | 3 | S | Deck Spindles |
| | 925-1745 | 1 | S | Ignition Keys |
| | 725-04439 | 1 | | Solenoid |
| | BS-492932S | 1 | /P | Oil Filter |
| | BS-499486S | 1 | /P | Air Filter |
| | BS-273638S | 1 | /P | Pre-Cleaner Element |
| | 759-3336 | 1 | /P | Spark Plug |
| | BS-691035 | 1 | /P | Fuel Filter |
| | 951-3111 | 1 | S | Fuel Cap |
| | 734-04155 | 2 | | Deck Wheels |
| | 723-0448A | 1 | S | Ball Joints |
| | 741-0516B | 1 | /P | Wheel Bushings |
| | 741-0990B | 1 | /P | Wheel Bushings in board |
| | 725-04363 | 1 | | Safety Switch-deck |
| | 725-04363 | 1 | | Safety Switch-Brake/Clutch |
| | 737-04003C | 1 | S | Water Nozzle Adapter |
| | 190-841-190 | 1 | | Mulch Kit (2007) (Attachment) |
| | 190-833-000 | 1 | S | 46" Front Dozer Blade (2007) (Attachment) |
| | 190-032-101 | 1 | | 42" 2-Stage Snow Thrower (2007) (Attachment) |
| | 19A-218-000 | 1 | | Rear Mount Weight (2007) (Attachment) |
| | 190-842-000 | 1 | S | Triple Bagger (2007) (Attachment) |
| | 190-824-101 | 1 | | Electric Sleeve Hitch (2007) (Attachment) |
| | 190-825-101 | 1 | | 30" Hydraulic Tiller (2007) (Requires 190-824-101)(Attachemnt) |
| | 190-679-101 | 1 | | Front Bumper (Attachment) |
| | OEM-190-607 | 1 | F | Deluxe Tractor Sunshade (Attachment) |
| | OEM-190-964 | 1 | /P | Tire Chains, 23 x 9.5 Tires (Attachment) |
| | OEM-190-784 | 1 | /P | Wheel Weights (Attachment) |
| | OEM-190-751 | 1 | | Snow Cab (Attachment) |
| | 490-900-0025 | 1 | | Deck Wash Kit (Attachment) |
| | 490-900-0028 | 1 | | Lawn Striper (Attachment) |
| | OEM-190-978 | 1 | | 10-Inch Mold-board Plow (Requires 190-824-101)(Attachemnt) |
| | OEM-190-980 | 1 | | Single-Disc Harrow (Requires 190-824-101)(Attachemnt) |
| | OEM-190-984 | 1 | | Row Crop Cultivator (Requires 190-824-101)(Attachemnt) |
| | OEM-190-804 | 1 | | 42-inch Heavy Duty Rear Blade (Requires 190-824-101)(Attachemnt) |



14AA815K790 GT-954 (2007)
Steering

Page 20 of 20

| Ref # | Part Number | Qty | S/P/F | Description |
|-------|-------------|-----|-------|----------------------------------|
| 1 | 710-04095 | 1 | | Hex Screw, 3/8-16, 1.00, Gr5 |
| 2 | 710-0514 | 1 | /P | Hex Screw, 3/8-16, 1.00, Gr5 |
| 3 | 710-0643 | 1 | /P | Hex Screw, 5/16-18, 1.00, Gr5 |
| 4 | 711-1408 | 1 | | Link, Drag, RH |
| 5 | 711-1409A | 1 | /P | Link, Drag, LH |
| 6 | 712-0214 | 1 | S | Nut, Hex Lock, 3/8-24 |
| 7 | 712-04065 | 1 | /P | Nut, Flange Lock, 3/8-16 |
| 8 | 712-0459 | 1 | /P | Nut, Flange Lock, 7/16-20 |
| 9 | 712-3004A | 1 | /P | Nut, Flange Lock, 5/16-18, Gr5 |
| 10 | 712-0240 | 1 | S | Nut, Jam, 7/16-20, Gr2 |
| 11 | 717-1550E | 1 | S | Gear, Steering, 11/90 Ratio |
| 12 | 717-1554 | 1 | | Gear, Pinion, Steering |
| 13 | 723-0448A | 1 | S | Ball Joint, 7/16-20, Lock |
| 14 | 736-3004 | 1 | S | Washer, Flat,.406 x.875 x.105 |
| 15 | 736-3084 | 1 | /P | Washer, Flat,.51 x 1.12 x.06 |
| 16 | 710-1260A | 1 | /P | Screw, 5/16-18, 0.750 |
| 17 | 738-04154 | 1 | | Spacer, Shoulder,.38 x 1.00 x.31 |
| 18 | 738-1001A | 1 | /P | Shaft, Steering,.625 OD x 24.25 |
| 19 | 741-0475 | 1 | S | Plastic Bushing.380 ID |
| 20 | 741-0656A | 1 | S | Hex Flange Bearing 5/8 PM |
| 21 | 783-0726E | 1 | /P | Pivot Bracket, Support RH |
| 22 | 783-0727D | 1 | | Pivot Bracket, Support LH |
| 23 | 783-0728B | 1 | | Pivot Bracket, Bar |
| 24 | 631-04008A | 1 | /P | Steering Wheel, 13.25 |
| 25 | 731-04065A | 1 | | Steering Wheel Cover |
| 26 | 738-1011A | 1 | /P | Shoulder Screw,.5 x 2.2, 3/8-16 |
| 27 | 731-05674 | 1 | | Cap |
| 28 | 736-04228 | 1 | | Flat Washer, .781 x 1.589 |
| 29 | 714-04039 | 1 | | Cotter Pin, 5/32 x 1.25 |
| 30 | 719-04105 | 1 | /P | Cast Iron Pivot Bar |
| 31 | 726-0341 | 1 | /P | Push Cap |
| 32 | 638-04003A | 1 | S | LH Axle Assembly,.750 |
| 33 | 638-04004A | 1 | S | RH Axle Assembly,.750 |
| 34 | 711-0332 | 1 | S | Pin, Clevis,.50 x.78 |
| 35 | 714-04023 | 1 | S | Cotter Pin, Int., .080 x 1.5625 |
| 36 | 783-0720A | 1 | S | Adjustment Bracket, Front |
| 37 | 634-04088A | 1 | /P | Wheel Assembly Complete, |
| 37 | 734-04148 | 1 | | Tire Only 16 x 7.5 x 8 |
| 37 | 634-04082 | 1 | S | Rim Only w/ Valve Stem |
| 38 | 738-0143 | 1 | /P | Screw, Shldr,.498 x.340, 3/8-16 |
| 39 | 712-0431 | 1 | S | Flange Lock Nut, 3/8-16 |